

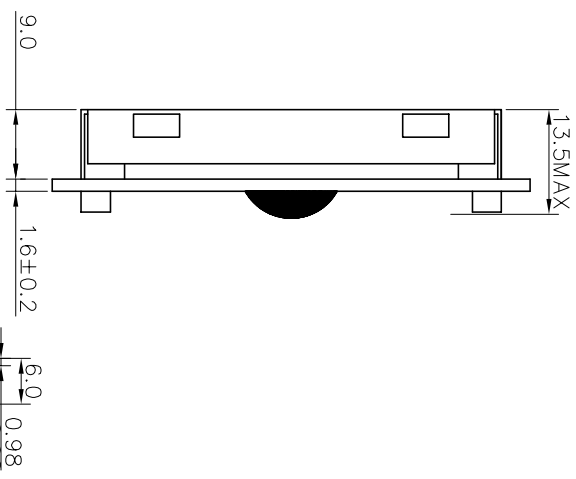
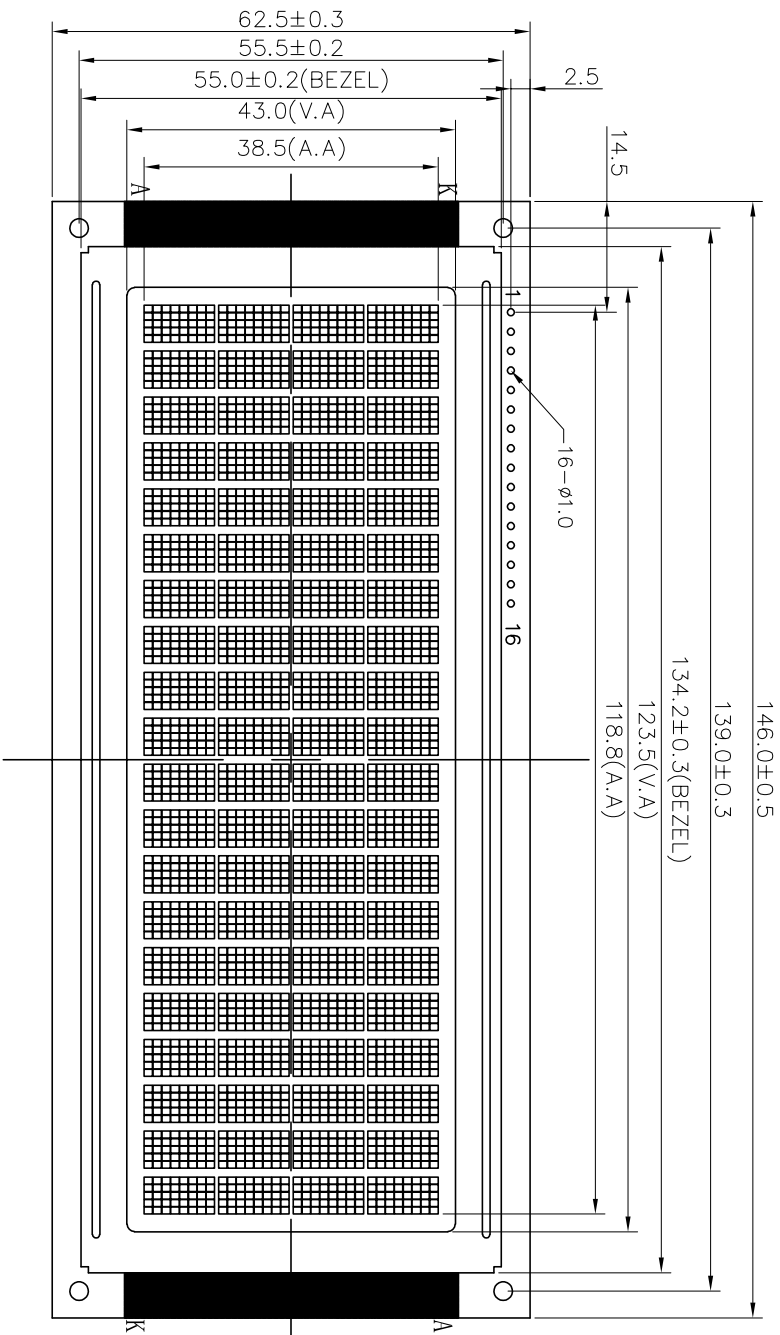
Outline Drawing

客户确认签名
Customer approved

日期
Date



VER	REVISION RECORD	Date	Name
01	NEW RELEASE	2006/06/11	LIT
02			
03			



PIN NO.	1	2	3	4	5	6	7	8	9	10
SYMBOL	GND	VDD	VO	RS	R/W	E	DB0	DB1	DB2	DB3
PIN NO.	11	12	13	14	15	16	--	--	--	--
SYMBOL	DB4	DB5	DB6	DB7	A	K	--	--	--	--

- NOTE:
1. LCD Display Type: STN/Yellow-green
 2. Polarizer Mode: Transflective/positive
 3. Drive Method: 1/16Duty, 1/5Bias
 4. Viewing Direction: 6:00
 5. Logic Supply Voltage: 5.0 V
 6. LCD Driving Voltage: 4.5 V
 7. Operating Temp: -20°C ~ 70°C
 8. Storage Temp: -30°C ~ 80°C
 9. Drive IC: ST7066U-0A(EN/JP FONT)
 10. Backlight Type: LED, Yellow-green, 5.0 V
 11. Interface: 8BIT
 12. Ulteriorly Tolerance: ±0.2
 13. RoHS

深圳市集目显示技术有限公司

E.V.T Shenzhen Eagle Vision Display Technology Co., Ltd

LCM TYPE

Dwg: CUSTOMER

Material No.

Check: MODULE EVCC20405YYWY01

SCALE: 1:1

Dim: MM Visual Angle



SHEET 1 OF 1