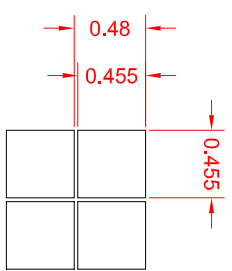
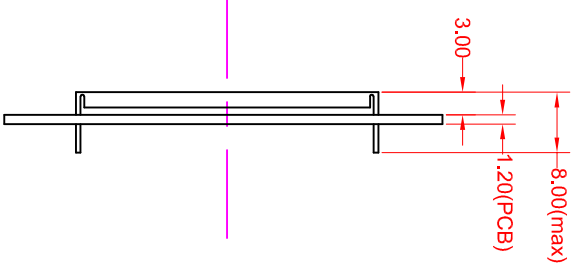
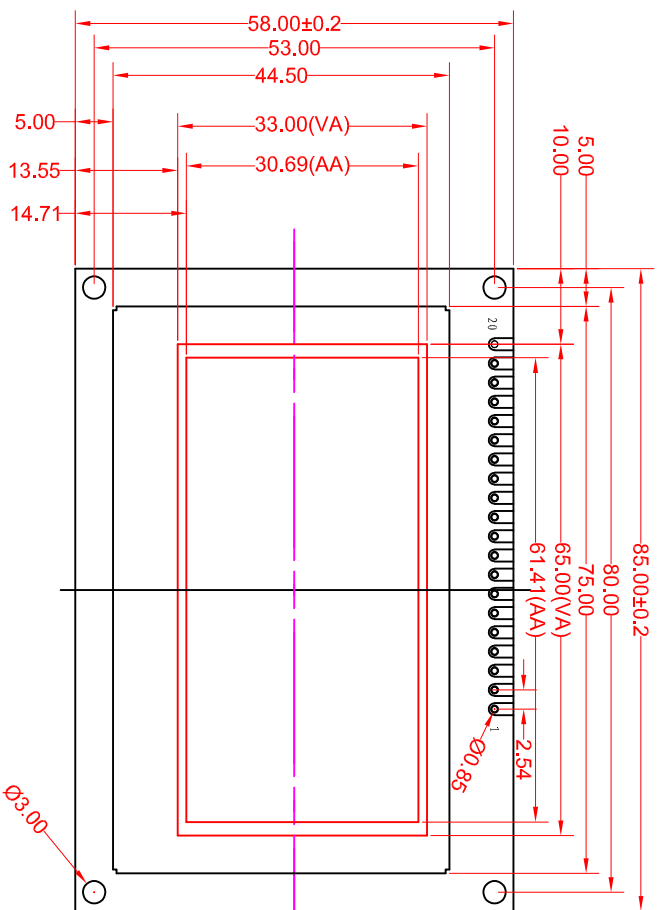




VER	REVISION RECORD	Date	Name
A	NEW RELEASE	2020/11/27	Zhou
B			
C			



PINS DESCRIPTION (接口定义)

PIN	SYMBOL	FUNCTION
1	GND	GROUND (逻辑地)
2	VCC	POWER SUPPLY PIN (逻辑电源正3.3V/5.0V)
3	RES	RESET (复位信号)
4	DC	COMMAND AND DATA SELECTED (命令/数据选择信号)
5	/WR	WRITE DATA (写数据信号)
6	/RD	READ DATA (读数据信号)
7-14	DO-D7	DATA BUS (数据信号)
15	CS	CHIP SELECTED (片选信号)
16-20	NC	

EVD270DM20PG01
EV---Company Code
D-----OLED
270---Panel size 2.7 inch
D-----Serial No. A-Z
M-----Module: P--Panel
20-----Interface pin
P-----Parallel
W-----Display color: White/Yellow/Blue/Green
01-----Ver. No.

- NOTE
1. Display Type: 2.7" PM-OLED, 128x64
  2. Viewing Direction: ALL
  3. Logic Supply Voltage: 3.0V(SSD1325), VCC=3.3V OR 5.0V
  4. OLED Panel driving voltage: 15.0V
  5. Control IC: SSD1325
  6. Display color: Green
  7. Operating Temp: -40 TO 80
  8. Storage Temp: -40 TO 85°C
  9. Ulteriorly Tolerance: ±0.2MM



深圳市集目显示技术有限公司  
Shenzhen Eagle Vision Display Technology Co., Ltd

Dwg:	CUSTOMER	LCM TYPE
Check:	MODULE	2.7" OLED
Dim: MM	EVD270DM20PG01	Material No.
Visual Angle	SCALE: 1:1	
	SHEET 1 OF 1	