

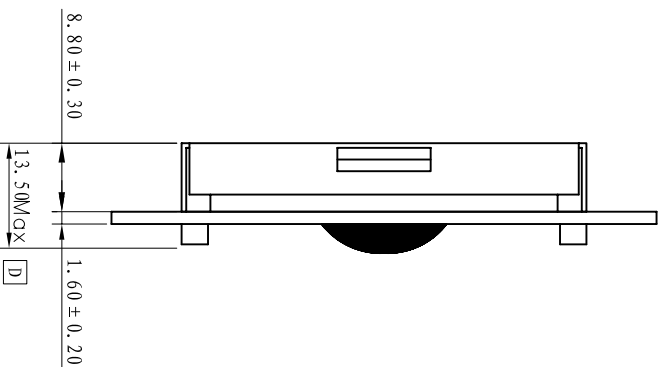
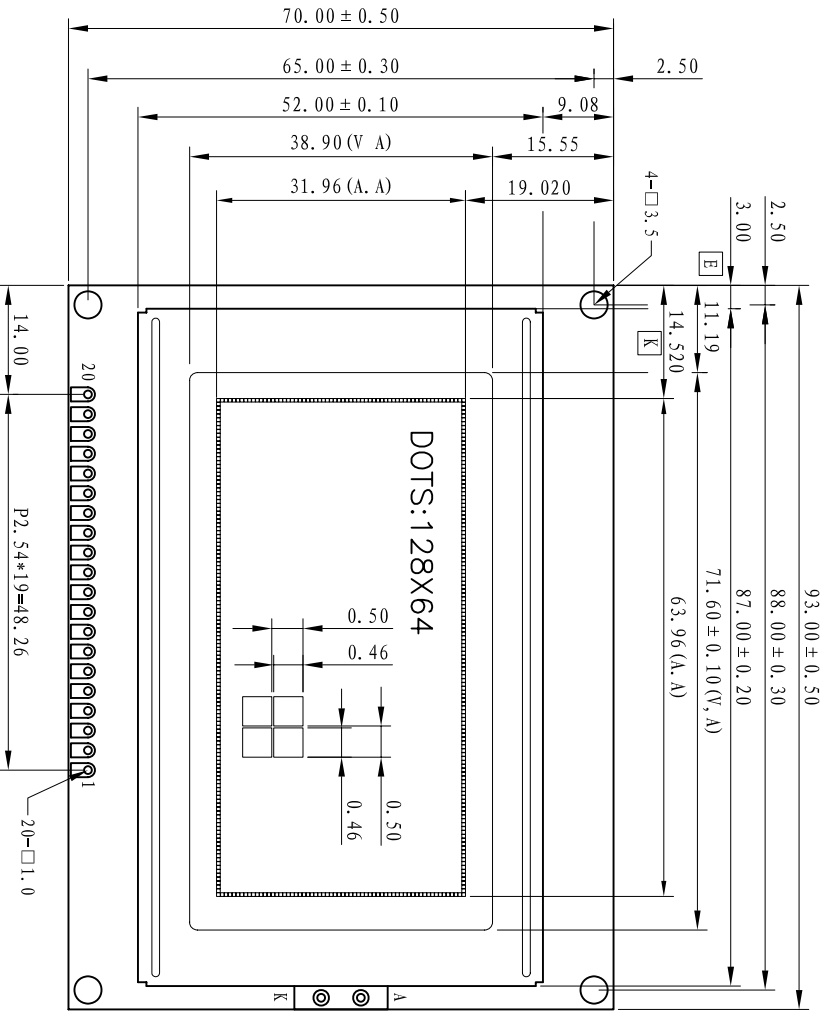
Outline Drawing

客户确认签名
Customer approved

日期
Date

由 Autodesk 教育版产品制作

VER	REVISION RECORD	Date	Name
A	NEW RELEASE	2005/07/27	Y0Y0
B	更正了LCD点间距,由0.05mm改为0.03mm	2008/01/22	CGP
C	驱动IC更改为UC10107&UC10108	2011/09/03	FLI



NOTE

- 1.Lcd Display Type: STN/GRAY
- 2.Polarzier Mode:Transflective,positive
- 3.Viewing Direction: 6:00
- 4.Drive Method:1/9Bias,1/64Duty
- 5.Logic Supply Voltage: 5.0V
- 6.LCD Driving Voltage: 9.0V
- 7.Operating Temp:-20 TO 70°C
- 8.Storage Temp: -30 TO 80°C
- 9.Control IC: UC10107&UC10108(COB)
- 10.Backlight: White(4*Led),ILed=60Ma, Vled=3.3V
- 11.Connector:
- 12.Ulteriorly Tolerance:±0.2MM

PIN NO.	1	2	3	4	5	6	7	8	9	10
SYMBOL	GND	VDD	V0	RS	R/W	E	DB0	DB1	DB2	DB3
PIN NO.	11	12	13	14	15	16	17	18	19	20
SYMBOL	DB4	DB5	DB6	DB7	CS1	CS2	RST	VOUT	A	K

教育版产品制作

		深圳市集目显示技术有限公司 Shenzhen Eagle Vision Display Technology Co., Ltd		LCM TYPE 128*64 GRAPHIC	
Dwg:	CUSTOMER			Material No.	
Check:	MODULE	LMG1286401GWWT-C		SCALE: 1:1	
	Visual Angle			SHEET 1 OF 1	

由 Autodesk 教育版产品制作